



FOLDABLE ARGONAUT

Designed for ages 10 and up. Adult supervision required.

Before you print out the Argonaut design, first take into account the type of paper you are printing to. For instance, to get a high-gloss finish, you could use Photo-Quality paper to print the design sheets (not the instructions), but this paper is more like card, and is therefore harder to manage without extra steps like scoring fold lines, etc.

As a counterpoint, using plain paper, while easy to cut, fold and manage, may be prone to ink run, warp and other distortions depending on the type of glue you use. As a general rule of thumb, allow your Argonaut to dry fully before progressing to the following step.

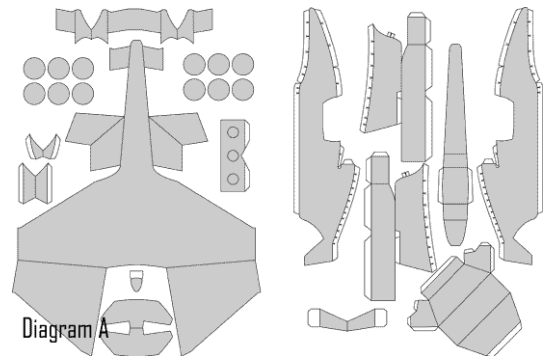
This guide will assume you are using plain 80gsm inkjet paper.

What you will need:

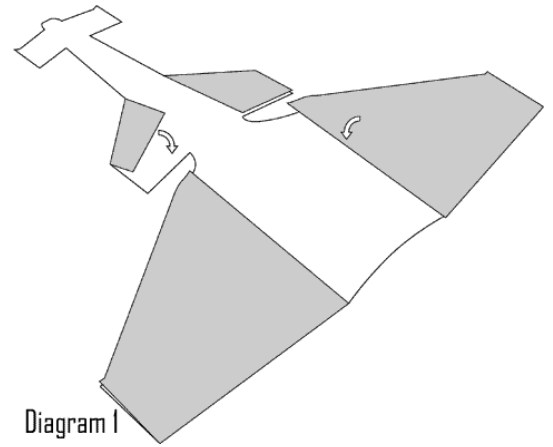
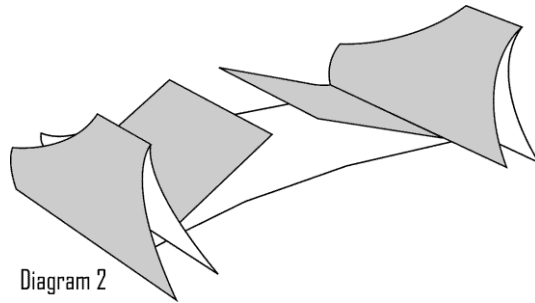
1. **Paper.** Any type will do. Feel free to make one on plain paper and then progress to glossy photo-paper later.
2. **Scissors.** These will need to be sharp and delicate enough to reach the more intricate areas. Supplement these with a Stanley knife if required.
Children should consult an adult before doing any cutting.
3. **Paper Glue.** Preferably clear-drying glue. Take note that liquid-based glues may warp the paper, while dry glues such as glue sticks may not be strong enough to hold the design. Superglue dries too fast, also.
4. **Double-Sided Poster Mounts/Mounting Squares/Double Sided tape.** Any type of double-sided adhesive tape with a thickness of 1mm-1.5mm is required for layering the Magneto Drives. About 20mm square.
5. **2 Cocktail Toothpicks.** For the wingtips
6. **Silver Paint Pen.** Paint the toothpicks silver.
7. **Tissue/Cloth.** Use to wipe up excess glue.

Instructions:

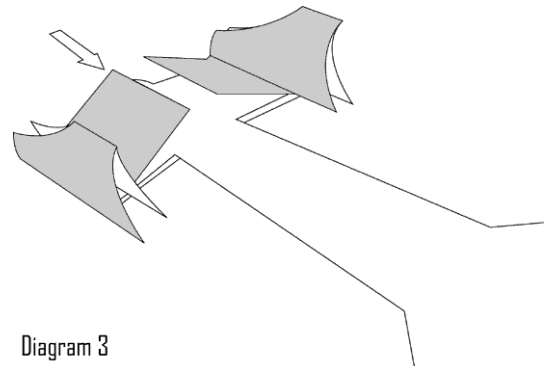
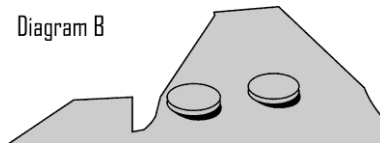
- Print out Design Sheets 1 and 2 (shapes A to M, Diagram A)



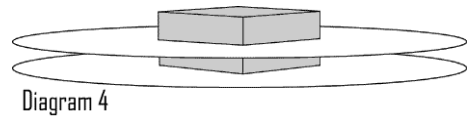
- Cut out shape A (Base)
 - Fold Wing pieces over at fold-line and glue into place. (Diagram 1)
 - The printed underside should face down.



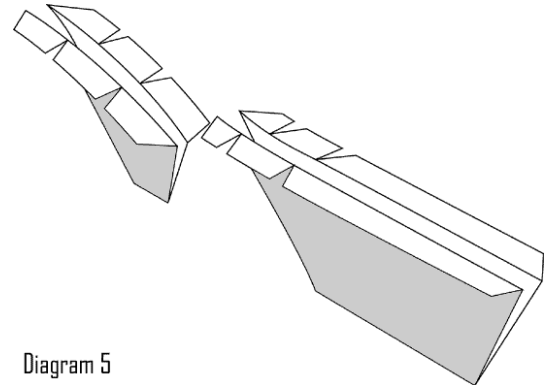
- Cut out shape B (Nose-fin)
 - Fold, making sure printed side is always facing out (Diagram 2)
 - Wrap folded nose-fin around the struts at the front of the base piece (A). Make sure that the printed side of shape B shows all the way around the base piece. (Diagram 3)



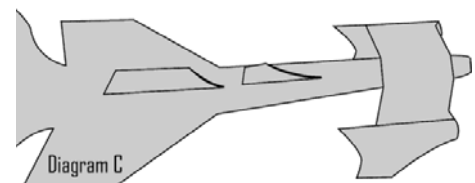
- Cut out shape(s) C (Magneto Drives)
 - Cut poster mounts into 4 squares, or otherwise make 12 square double-sided adhesive tabs between 8mm to 10mm square.
 - Place one piece of adhesive for each magneto drive in each place on the underside of the base.
 - Stick one magneto drive to each square of adhesive.
 - Repeat above steps to build up two layers of magneto drives for 3D-effect. (Diagram 4, Diagram B)



- Cut out shapes D and E. (Tandem Delta)
 - Fold along fold-lines so printed side faces out at all times. (Diagram 5)
- Cut base along internal cut lines.
 - You may need to use a Stanley knife to achieve this.
Children should ask an adult before using a knife.

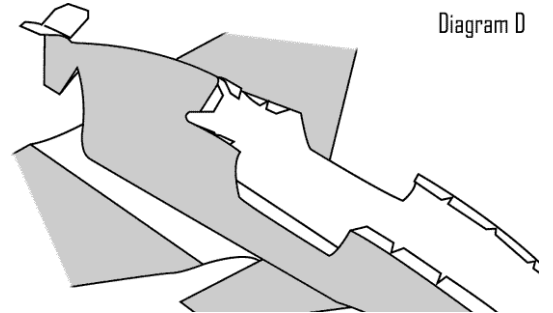


- Insert shapes D and E into their respective slots, gluing the tabs to the inside of the base (unprinted side). This step should have the tandem delta fins sticking out from the printed side of the base, with the glued tabs on what will become the inside of the chassis. (Diagram C)

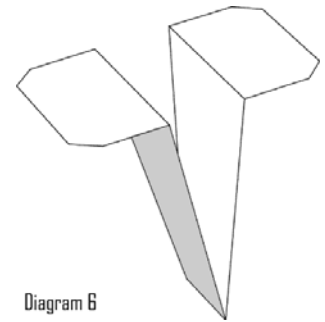
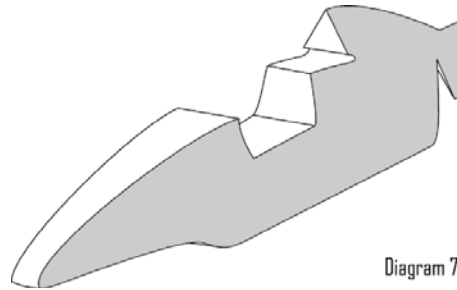


- Cut out shape F (Back Plate with Thrusters)
 - Put aside
- Cut out shape G (Dorsal Intake Facing)
 - Put aside
- Cut out shape H (Tail Fins)
 - Fold along middle fold line and glue so that printed sides face out.

- Cut out shapes I (both Side/Chassis pieces)
 - Fold all tabs down.
 - NOTE: Tab above rear fin should fold with the printed side *down* as this will form the base for the tailfin and spoiler pieces. All other tabs should fold 'in' towards the opposite chassis/side piece.
 - Glue Chassis (shapes I) to Base (shape A), overlapping main wing design, matching wing pattern and outside edge of base. (Diagram D)

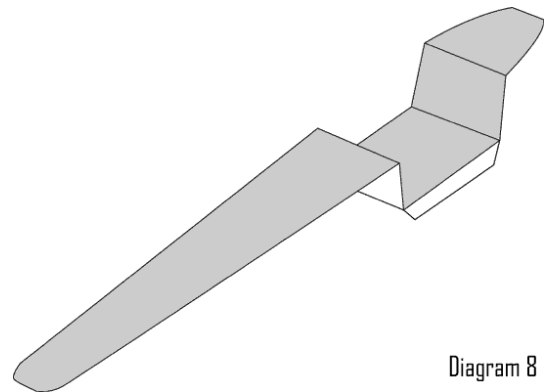


- Cut out shape J (Tail Support)
 - Fold according to (Diagram 6, Diagram D) and glue inside rear fin of Chassis, forming a T-shaped platform for the tailfin and spoiler.



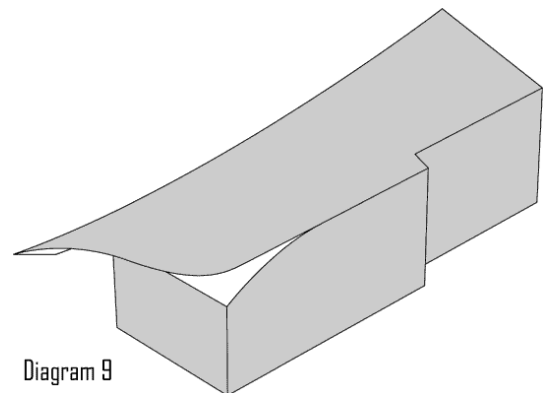
- Glue shapes I together along the dorsal intake
 - Form a peak/centreline in the middle of the Argonaut. (Diagram 7, Diagram D)

- Cut out shape K (Top)
 - Fold along lines as shown. (Diagram 8)
 - Glue tabs at the cockpit area.
 - Glue rest of shape K to shapes I, starting at the Dorsal Intake and working forward, matching colours to the side of the chassis.
 - When you reach the nose area, insert any excess grey paper back into the inside of the chassis and form a curved end.



- Glue shape G (Dorsal Intake Facing) to the end (front) of the dorsal intake.

- Cut out shapes L (both Side Intakes)
 - Fold up as shown. (Diagram 9)
 - Glue all internal tabs and allow drying time.



- Glue shapes L (both Side Intakes) to the chassis (shapes I), following printed contour of intake.
 - Ensure that the front tip of the intake flows downward. (Diagram E)
 - Fold remaining piece around back of Argonaut.
 - Glue bottom of intake to wing pieces. (Diagram E)
- Glue Back Plate (shape F) to rear of Argonaut.
- Glue shape H (Tail Fins) to the top of the T-shaped surface formed by shape J (Tail Support)
- Cut out shape M (Spoiler)
 - Fold along fold lines (Diagram 10)
 - Glue all internal tabs and allow drying time.
 - Glue Spoiler (shape M) to top of Tail Fin (shape F)
- Glue silver-painted toothpicks to wingtips. (Diagram F)
- You can hang your Argonaut by using nylon fishing line hooked under the Dorsal Intake.

